



# SUB 9019-AS

HIGH POWER 19" ACTIVE SUBWOOFER



### Description

SUB 9019-AS is a high-performance 19" active subwoofer delivering up to 138 dB Max SPL, powered by a robust 4000W Class-D amplifier. Designed for rigorous touring, the SUB 9019-AS features a tour-ready, weatherproof cabinet with a durable Polyurea finish and a detachable front cart for easy transport. Control is precise with RDNet network management, offering adjustable EQ, delay, cardioid options, and tailored crossover presets for RCF speakers. Innovative contactless configuration via RDTap allows seamless setup even when the unit is unpowered, ensuring perfect integration every time. Despite its small footprint and lightweight cabinet, the SUB 9019-AS produces powerful yet articulate bass, remaining true to even the most subtle low-frequency variations.

### Features

- › 138 dB Max SPL
- › 4000W Class-D Amplification
- › RDTap Contactless Configuration
- › I/O Panel Rain Cover Included
- › RDNet Networked Control
- › BMC, EQ, DLY, Cardioid
- › ACE Crossover Presets for RCF Speakers
- › 19" High-Excursion Precision Transducer
- › Detachable Front Cart (sold separately)
- › powerCON TRUE1 TOP AC Connector

### Part Number

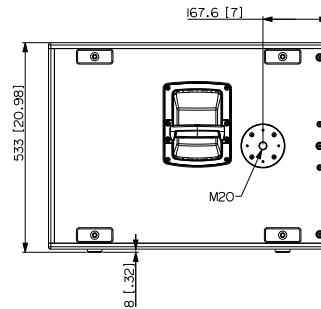
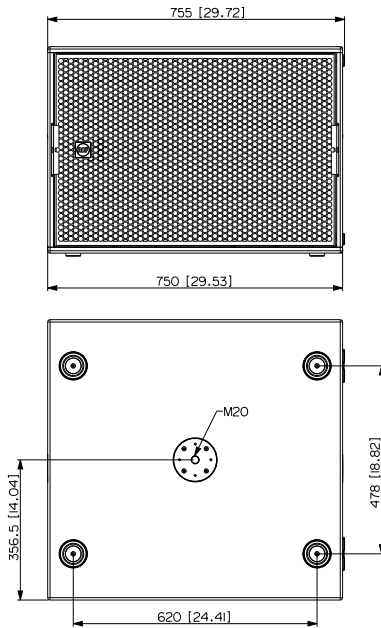
13000890 SUB 9019-AS	EU	100-240 V	Black	EAN 8024530022679
13000908 SUB 9019-AS	US	100-240 V	Black	EAN 8024530022846



# SUB 9019-AS

HIGH POWER 19" ACTIVE SUBWOOFER

Line Art 2D



## TECHNICAL SPECIFICATIONS

<b>Acoustical specifications</b>	Frequency Response	30 Hz ÷ 200 Hz
	Max SPL @ 1m	138 dB
<b>Transducers</b>	Woofer	1 x 19" neo, 4.0" v.c
<b>Input/Output section</b>	Input signal	bal/unbal
	Input connectors	XLR, RDNet Ethercon
	Output connectors	XLR, RDNet Ethercon
	Input sensitivity	-2 dBu/+4 dBu
<b>Processor section</b>	Protections	Thermal
	Limiter	Soft Limiter
	Controls	MUTE, VOL, PRESETS, RDTAP
	RDNet	Onboard
<b>Power section</b>	Total Power	4000 W Peak
	Cooling	Convection/Forced
	Connections	Powercon TRUE1 TOP IN/OUT
<b>Standard compliance</b>	Safety agency	CE compliant
<b>Physical specifications</b>	Cabinet/Case Material	Plywood
	Hardware	2 x M20 pole mount accessories
	Handles	1 handle per side
	Pole mount/Cap	M20 thread
	Grille	Steel with clothing
	Color	Black
<b>Size / Weight</b>	Height	533 mm / 20.98 inches
	Width	755 mm / 29.72 inches
	Depth	713 mm / 28.07 inches
	Weight	53.4 kg / 117.73 lbs

## ACCESSORIES

<b>Rigging / Mounting</b>	<b>FLY BARS</b>	
	13360673 FLB60673	Black
	13360676 FLB60676	Black



# SUB 9019-AS

HIGH POWER 19" ACTIVE SUBWOOFER

<b>Rigging / Mounting</b>	13360677 FLB60677	Black	EAN 8024530023713
	<b>POLE MOUNT KITS</b>		
	13360067 PM-KIT M20	Black	EAN 8024530014599
<b>Protections</b>	<b>COVERS</b>		
	13360658 CVR60658	Black	EAN 8024530023409
<b>Transportation</b>	<b>KART WITH WHEELS</b>		
	13360657 CRT60657	Black	EAN 8024530023638