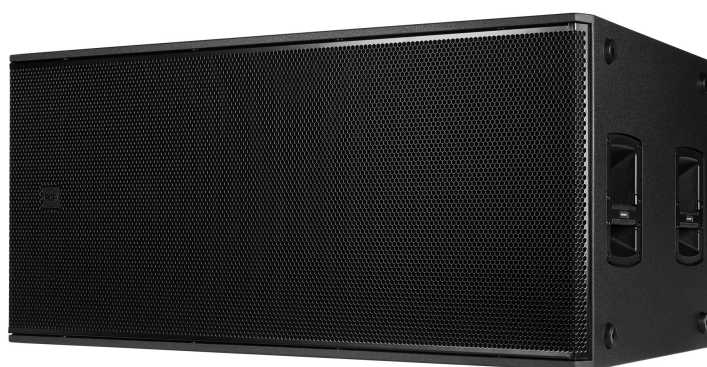


SUB 8008-AS

PROFESSIONAL POWERED DUAL 18" SUBWOOFER

DESCRIPTION

The SUB 8008-AS is a double 18" high power active subwoofer for live bands, DJs, Clubs, and Rental Companies. It employs a state-of-the-art transducer featuring a high-power ceramic magnetic circuit with a 4" voice coil. The power amplifier manages extreme currents up to 4400W delivering sound pressure levels up to 137 dB with exceptional headroom. The ultra-fast attack with accurate power handling is managed with high efficiency, producing a very low heat loss for silent and fan-less cooling. Built specifically for demanding live sound applications with deep, powerful bass response. Rear panel controls include 12 presets, crossover frequency, polarity switch, Deep/Punch selection, cardioid, and output delay settings. The tour-ready, rugged all-wood cabinet with scratch-resistant polyurea coating is easy to carry and secure for installation. With its rugged construction, sound quality, and high power, SUB 8008-AS is perfect in mid to big-sized venues and touring applications.



FEATURES

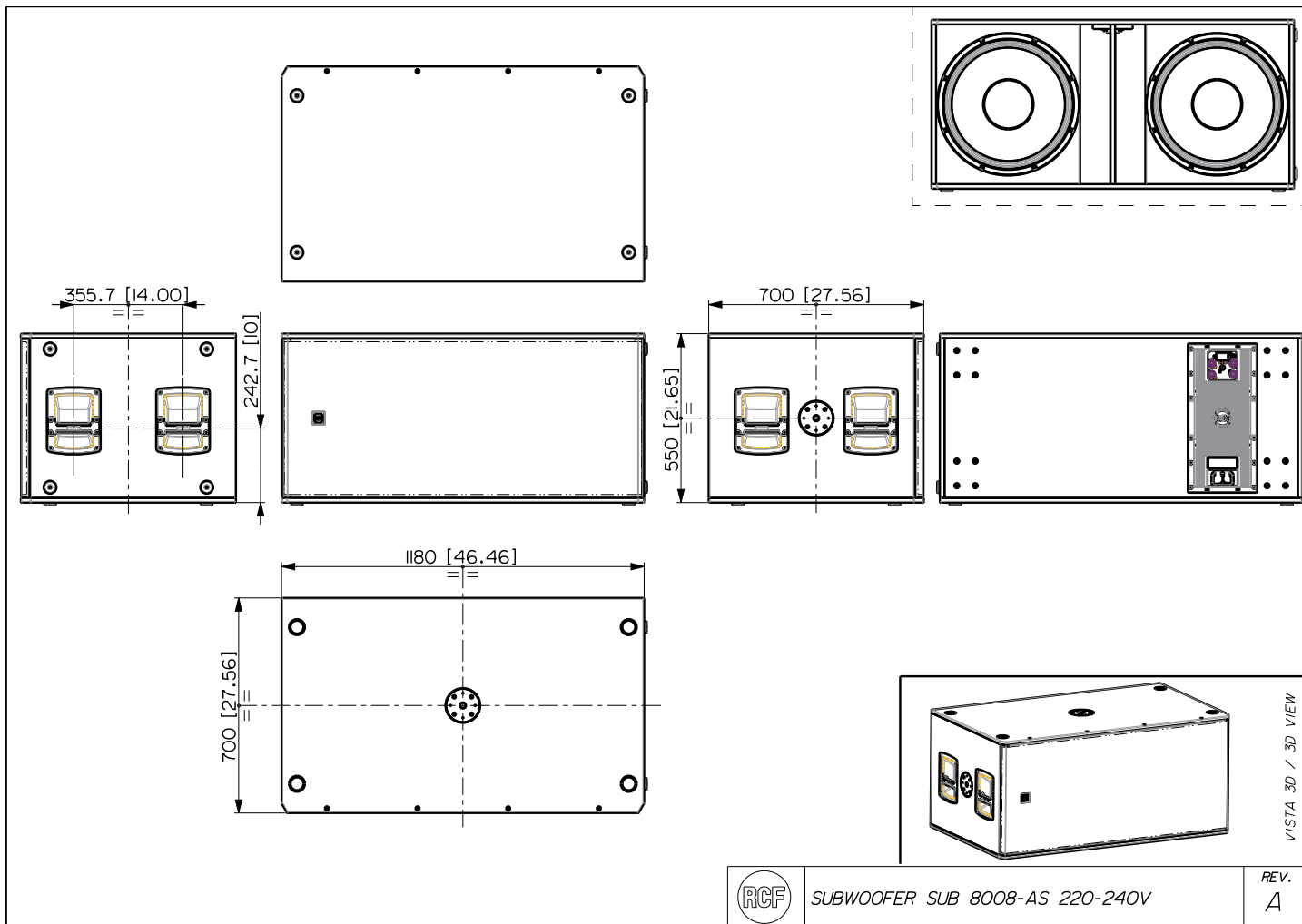
- Up to 137 dB Sound Pressure Level
- 4400W Class-D Bi-Amplification
- 30-120 Hz linear frequency response
- 2 x 18" High Power Woofers
- IP Rated Powercon TRUE1 TOP IN/OUT
- 8 Crossover Presets and 4 Cardioid Presets

TECHNICAL SPECIFICATIONS

Acoustical specifications	Frequency Response:	30 Hz ÷ 120 Hz
	Max SPL @ 1m:	137 dB
Transducers	Woofers:	2 x 18", 4.0" v.c
Input/Output section	Input signal:	bal/unbal
	Input connectors:	XLR
	Output connectors:	XLR
	Input sensitivity:	-2 dBu/+4 dBu
Processor section	Crossover Frequencies:	Selectable
	Protections:	Thermal, Excurs., RMS
	Limiter:	Soft Limiter
	Controls:	Xover, Phase switch, Deep/Punch, Output Delay Setting
Power section	Total Power:	4400 W Peak
	Low frequencies:	4400 W Peak
	Cooling:	Convection/Forced
	Connections:	Powercon TRUE1 TOP IN/OUT
Standard compliance	Safety agency:	CE compliant
Physical specifications	Cabinet/Case Material:	Plywood
	Hardware:	2 x M20
	Handles:	2 x side
	Grille:	Steel
	Color:	Black
Size	Height:	550 mm / 21.65 inches
	Width:	1180 mm / 46.46 inches
	Depth:	700 mm / 27.56 inches
	Weight:	80 kg / 176.37 lbs
Shipping informations	Package Height:	600 mm / 23.62 inches
	Package Width:	1370 mm / 53.94 inches
	Package Depth:	900 mm / 35.43 inches
	Package Weight:	86 kg / 189.6 lbs

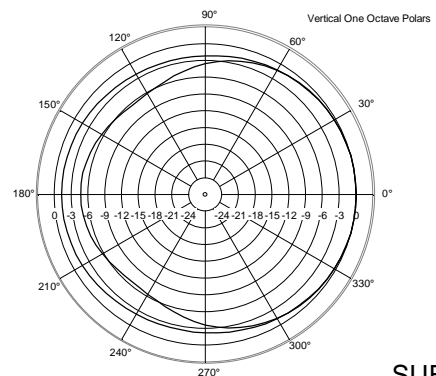
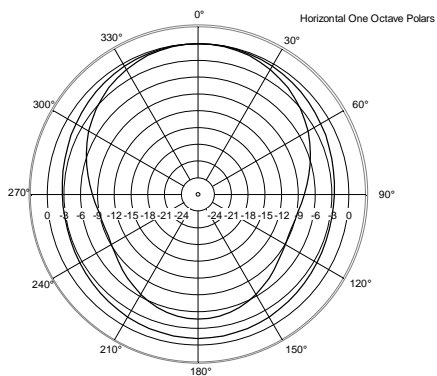
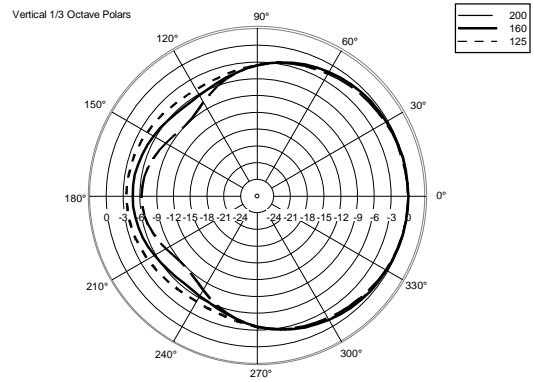
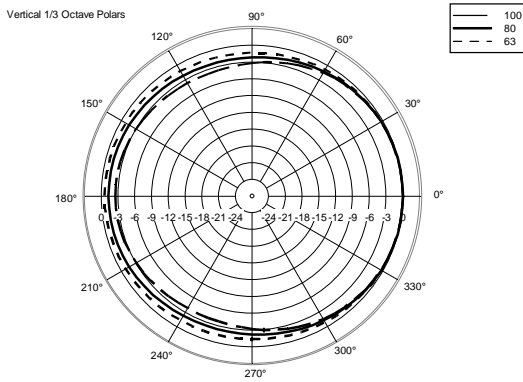
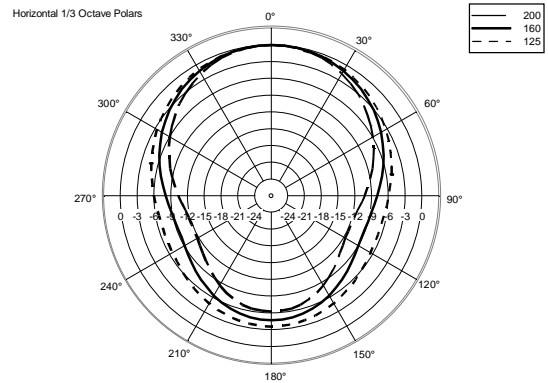
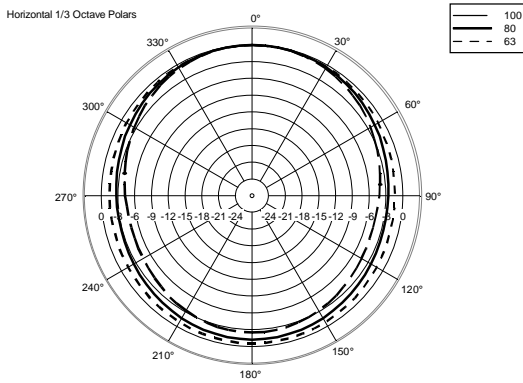
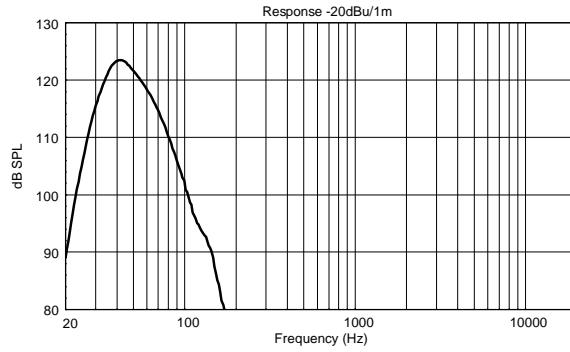
PART NUMBER

- **13000753**
SUB 8008-AS
115V
- **13000752**
SUB 8008-AS
220-240V
EAN 8024530019945



SUBWOOFER SUB 8008-AS 220-240V

REV. A



ACCESSORIES

AC PM-M20

PART NUMBER **13360067**
EAN: 8024530014599

AC PMX POLE MOUNT M20

PART NUMBER **13360232**
EAN: 8024530010058

COVER CVR SUB 8008

PART NUMBER **13360518**
EAN: