

## ELEMENTS E 210 SUB AS

The E 210 SUB AS is an HK Audio ELEMENTS series active subwoofer. It is loaded with two 10" woofers and two amps that deliver 1200 watts each. The first amplifier unit drives the E 210 SUB AS and can also drive a passive L SUB 1200. The second amp can power up to six E 435 or three E 835 mid/high line sources. With the benefit of these onboard power sources, you can set up large yet portable PAs for audiences of around 400 to 500 people.

The E 210 SUB AS can serve as a permanent fixture or a temporary addition to installed ELEMENTS series systems. In both cases, the E 210 SUB AS provides a very powerful foundation for bass signals in an inconspicuous package.

### > FEATURES

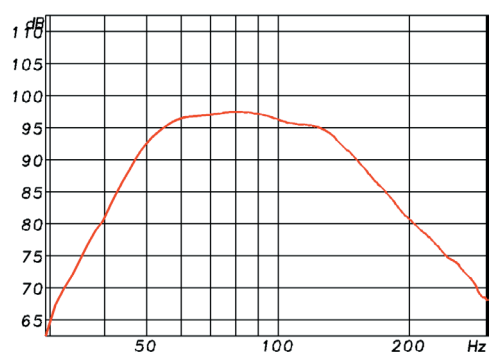
- Active subwoofer with 2 x 1,200 watts
- Two 10" woofers
- Flexibly covers larger sound reinforcement applications
- Drives up to six E 435 / three E 835 line source loudspeakers
- Additional Speakon output for connecting an add-on L SUB 1200 bass bin
- Four filters (variable to match the number of mid/high line sources)
- Two E-Connect couplers with an integrated signal bus

### > TECHNICAL SPECIFICATIONS

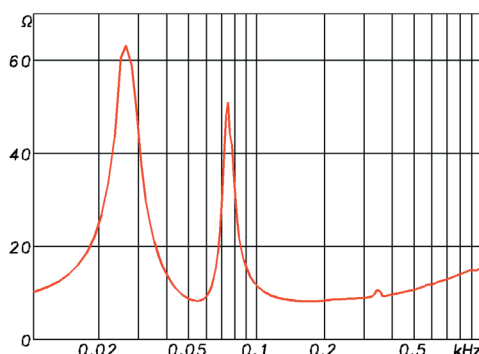
#### E 210 SUB AS

<b>Continuous Power Into 4 Ohms</b>	1,200W Class D @ 4 Ω (Subs) 1,200W Class D @ 4 Ω (Mid/High)
<b>Frequency Response -10 dB</b>	38Hz - 150Hz Via Active System X-Over
<b>Nominal Impedance</b>	8 Ω
<b>Subwoofer Amplifier</b>	1,200W / Class-D @ 4 Ω
<b>Active Protection Circuits</b>	RMS limiter, Subsonic filter, DC, Load & Thermal (Temp.- Controlled Fan)
<b>Input Sensitivity</b>	+4dBu
<b>Connections</b>	1 x XLR Combo In, 1 x XLR Through, 2 x Speakon-Out, 1 x SUB, 1 x Mid/ High, 2 x E-Connect Out
<b>LF Speaker</b>	2 x 10" (2.5" Voice Coil)
<b>Handles</b>	4 Integrated
<b>Enclosure</b>	Birch Multiplex 15/18 mm, 9/13 Plywood
<b>Grille</b>	2mm Metal Grille
<b>Finish</b>	Acrylic Enamel, Black
<b>Pole Mount</b>	2 x E-Connect
<b>Optional Accessories</b>	Protective Cover, 100 mm Blue Wheels
<b>Dimensions (WxHxD)</b>	38 x 67 x 56cm
<b>Weight</b>	36.7kg, 80.8lbs

### > MEASURING CHARTS



Frequency response after filtering



Impedance

## › CONFIGURATION EXAMPLES



### E 210 SUB AS

→ INSTALL KIT with  
6x E 435 and 1x L SUB 1200

INSTALL KIT consisting of up to six E 435 line sources driven by the active E 210 SUB AS subwoofer, which can also power a passive L SUB 1200 subwoofer.

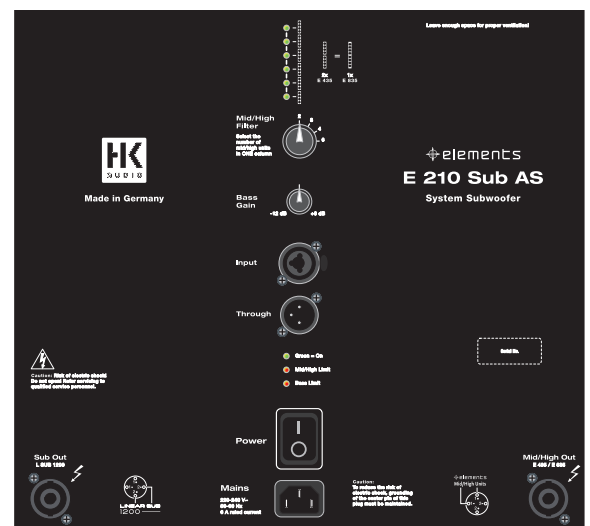
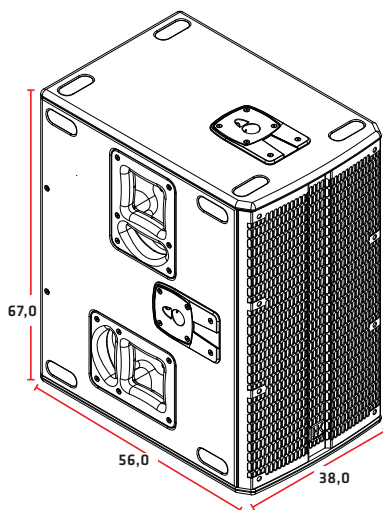
## › ACCESSORIES

### Subwoofer Cover

Practical protective cover for the E 210 SUB AS. The cover is double-padded to effectively protect its contents against damage in transit and dust build-up during storage. The cover has openings on the back, allowing it to be used even if standard casters have been fitted to the Sub.



## › TECHNICAL DRAWINGS/DIMENSIONS



## › PART NUMBER LIST

Part Number	Model	Description
1007406	Elements E 210 SUB AS W	2x 1200 W, 240 V, white
1007407	Elements E 210 SUB AS W	2x 1200 W, 120 V, white
1007084	Elements E 210 SUB AS	2x 1200 W, 230 V
1007251	Elements E 210 SUB AS	2x 1200 W, 240 V
1007252	Elements E 210 SUB AS	2x 1200 W, 120 V
1007253	Elements E 210 SUB AS	2x 1200 W, 100 V
1007290	Elements E 210 SUB AS W	2x 1200 W, 230 V, white
1007273	Elements E 210 SUB Protective Cover	

HK Audio®

Postfach 1509  
66595 St. Wendel, Germany  
info@hkaudio.com  
www.hkaudio.com

© 2015 Music & Sales P.E. GmbH  
Subject to change without notice  
MS D-2764