



ARCS FOCUS

CONSTANT CURVATURE WST ENCLOSURE

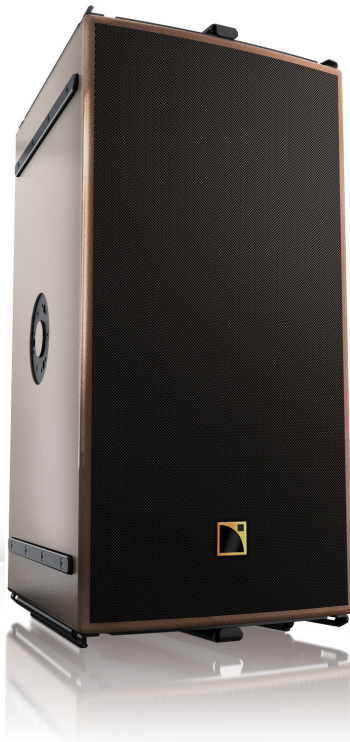
The **ARCS® FOCUS** is a constant curvature WST® enclosure. Within the ARCS WIDE and FOCUS family, it is designed to generate a narrow coverage combined to a high SPL.

The ARCS FOCUS loudspeaker enclosure is based on a 2-way passive design with a nominal impedance of 8 ohms. It features one 12" LF speaker in a bass-reflex tuned enclosure and one 3" diaphragm compression driver coupled to a DOSC® waveguide. The cabinet is made of first grade Baltic birch plywood for optimum acoustical and mechanical integrity. A pole-mount socket receptacle is integrated into the cabinet and allows mounting the enclosure on top of an SBI8m subwoofer.

The ARCS FOCUS operates over a nominal frequency range of 55 Hz to 20 kHz. This response can be extended down to 32 Hz with the SBI8m subwoofer. The DOSC HF waveguide generates a 15° x 90° symmetric directivity pattern.

Coupling bars allow arraying ARCS FOCUS enclosures as a line with constant curvature, either vertically or horizontally. The DOSC waveguide in the HF region allows the system to be arrayed without breaking the inter-element acoustic coupling. The WST criteria are then fulfilled, so that such an array can be qualified as a true line source. Any WST line source provides a smooth tonal response and a coverage that is free of secondary lobes over the entire frequency range.

The ARCS FOCUS is driven and amplified by the LA4X or the LA8 controller. These ensure system linearization, protection, and optimization for the loudspeaker system.



Usable bandwidth (-10 dB) 55 Hz - 20 kHz ([ARCS_WIFO] preset)

Maximum SPL¹ 139 dB ([ARCS_WIFO] preset)

Coverage angle (-6 dB) 15° x 90°

Transducers LF: 1 x 12", weather-resistant, bass-reflex
HF: 1 x 3", diaphragm compression driver, DOSC waveguide

Nominal impedance 8 Ω

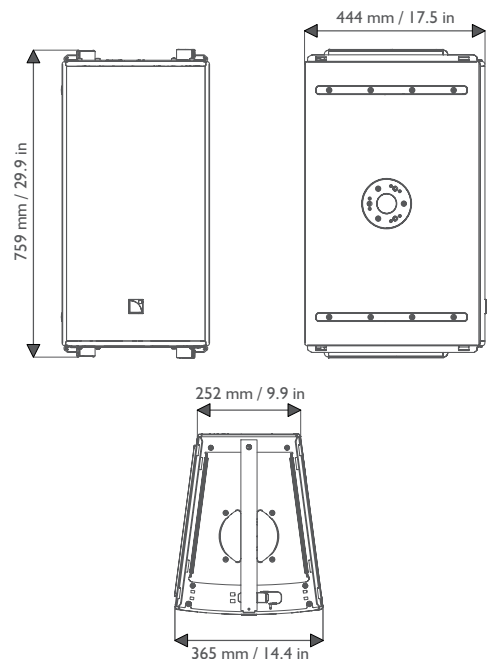
RMS power handling 450 W

Connectors IN: 1 x 4-point SpeakOn®
LINK: 1 x 4-point SpeakOn®

Rigging components Rigging rails and WIFORIG coupling bars

Physical data

W x H/h x D	365/252 x 759 x 444 mm	14.4/9.9 x 29.9 x 17.5 in
Weight (net)	38 kg	84 lb
Cabinet	Baltic birch plywood.	
Finish	Dark Grey brown PANTONE 426C Pure white RAL 9010® Custom RAL code on special order	
Front	Steel grill with anti-corrosion coating, Airnet® fabric	
Protection Rating	IP55	
Rigging components	High strength steel with anti-corrosion coating	



¹ Peak level at 1 m under free field conditions using pink noise with crest factor 4 (preset specified in brackets).