

TT 1-A

ACTIVE HIGH OUTPUT TWO-WAY SPEAKER

DESCRIPTION

Hi-fi acoustic design, superb deep bass punch, very linear and precise frequency response. The TT1-A is the perfect small and powerful speaker for almost any sound reinforcement situation. Ideal for live sound situations, incredible for playback and monitoring. The TT1-A, unique in its category, features a neodymium 3,0" voice coil compression driver on a large, constant directivity, precision horn. The integration of the 800 Watt, two channels, digital amplification and the advanced digital processing set a new standard for distortion, noise and thermal efficiency. The speaker is equipped with a complete set of integrated rigging mechanics for rental or installation. Dedicated accessories to create clusters are available.



FEATURES

- 800 Watt, 2 way amplification
- 10" neo woofer, 3.0" v.c.
- 2" titanium dome neo compression driver, 3.0" v.c.
- 90° x 60° precision waveguide
- 96 Khz, 32 bit DSP processing
- Maximum output, perfect audio fidelity
- Tour grade cabinet and mechanics
- RDNet Ready

TECHNICAL SPECIFICATIONS

Acoustical specifications	Frequency Response:	55 Hz ÷ 20000 Hz
	Max SPL @ 1m:	131 dB
	Horizontal coverage angle:	90°
	Vertical coverage angle:	60°
Transducers	Compression Driver:	2.0" neo, 3.0" v.c
	Woofer:	10" neo, 3.0" v.c
Input/Output section	Input signal:	bal/unbal
	Input connectors:	XLR
	Output connectors:	XLR
	Input sensitivity:	+4 dBu
Processor section	Crossover Frequencies:	900 Hz
	Protections:	Thermal, RMS
	Limiter:	Soft Limiter
	Controls:	Gain reduction, RDNet local setup/bypass, time delay, Presets (linear, close, far listening, High - Pass), RDNet Ready
	RDNet:	Ready
Power section	Total Power:	1600 W Peak, 800 W RMS
	High frequencies:	500 W Peak, 250 W RMS
	Low frequencies:	1100 W Peak, 550 W RMS
	Cooling:	Convection
	Connections:	Powercon IN/OUT
Standard compliance	CE marking:	Yes
Physical specifications	Cabinet/Case Material:	Baltic birch plywood
	Hardware:	Installation/Rental fittings
	Handles:	2 side
	Pole mount/Cap:	Yes
	Grille:	Steel
	Color:	Black
Size	Height:	566 mm / 22.28 inches
	Width:	333 mm / 13.11 inches
	Depth:	370 mm / 14.57 inches
	Weight:	25.4 kg / 56 lbs
Shipping informations	Package Height:	690 mm / 27.17 inches
	Package Width:	480 mm / 18.9 inches
	Package Depth:	430 mm / 16.93 inches
	Package Weight:	28 kg / 61.73 lbs



PART NUMBER

- **13000381**

TT 1-A

115V

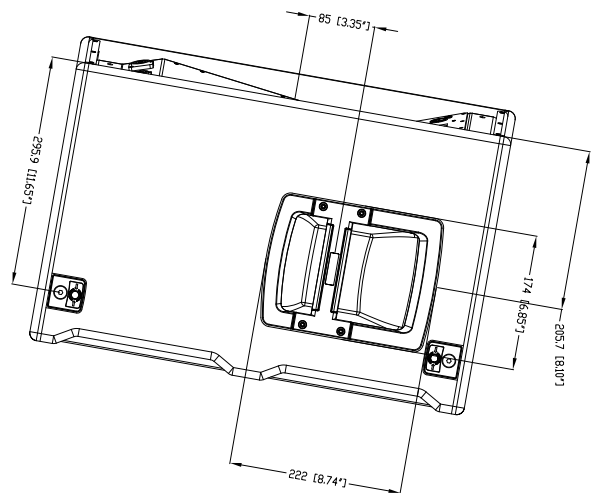
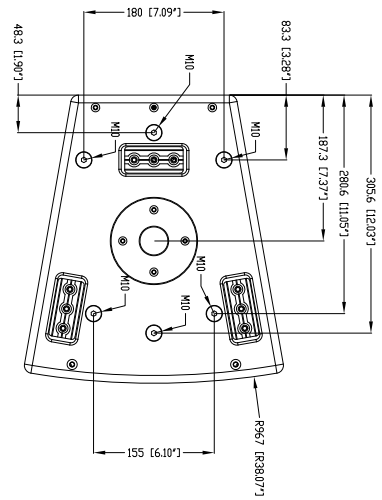
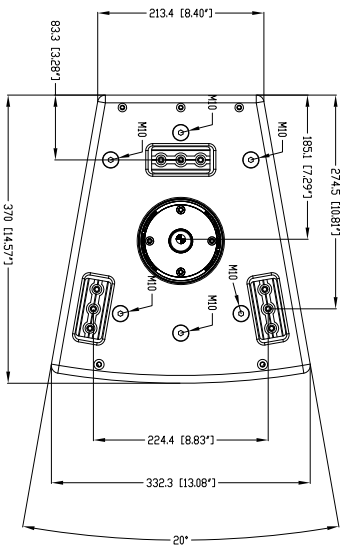
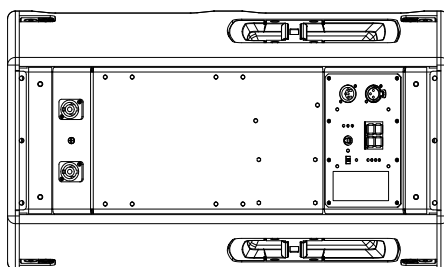
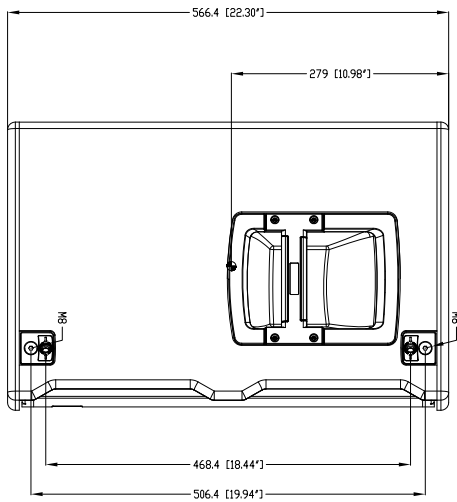
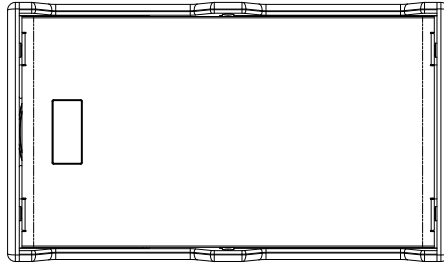
EAN 8024530010492

- **13000377**

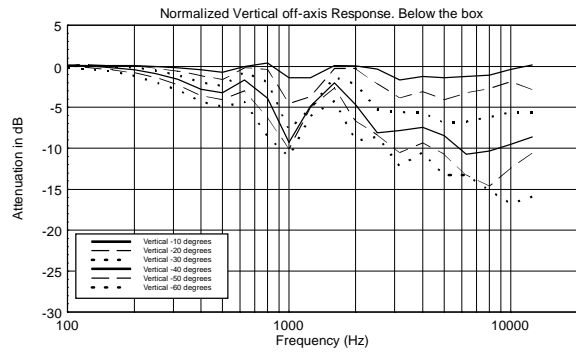
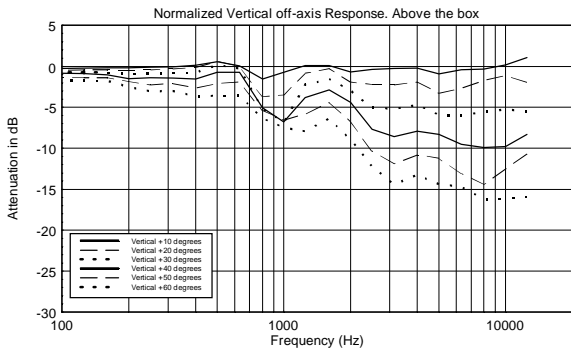
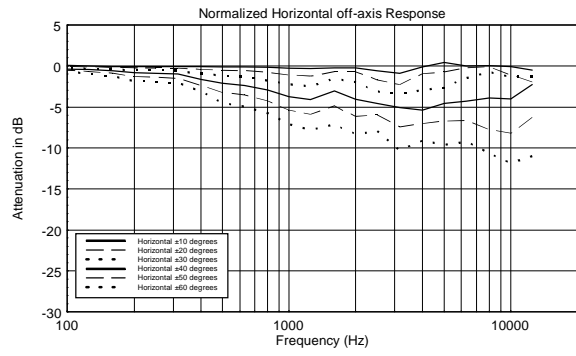
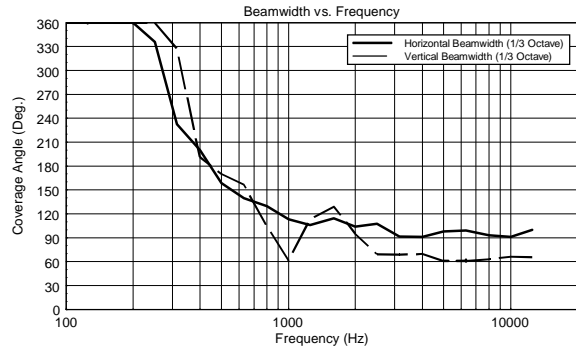
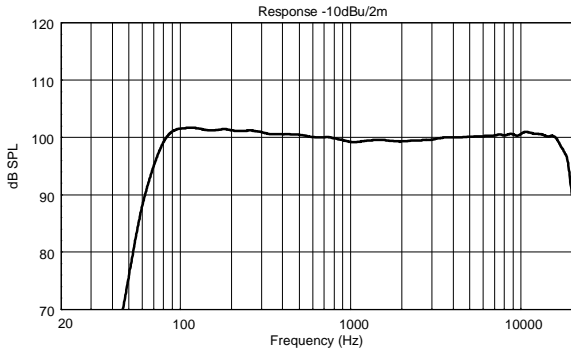
TT 1-A

220-240V

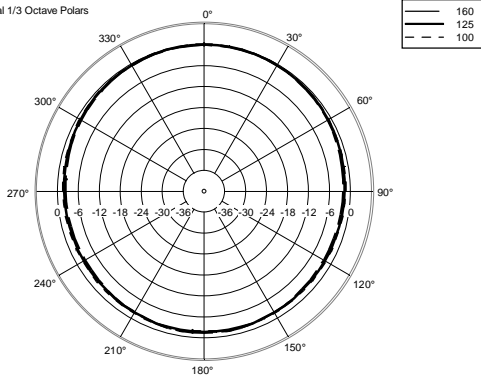
EAN 8024530010430



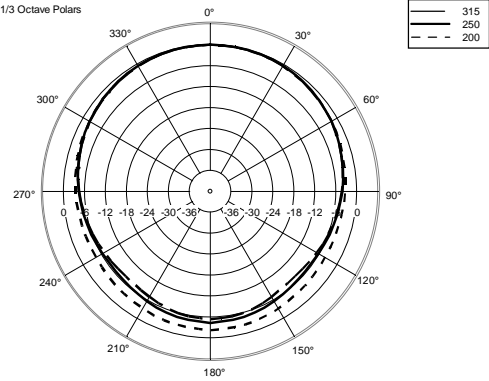
TT1-A



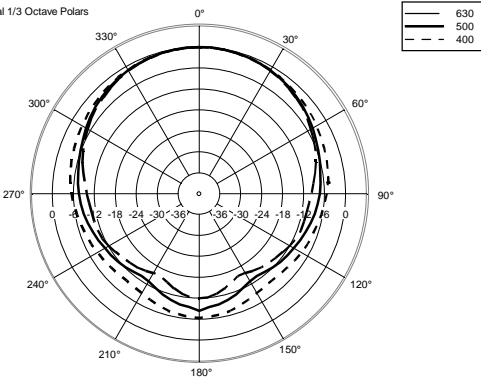
Horizontal 1/3 Octave Polars



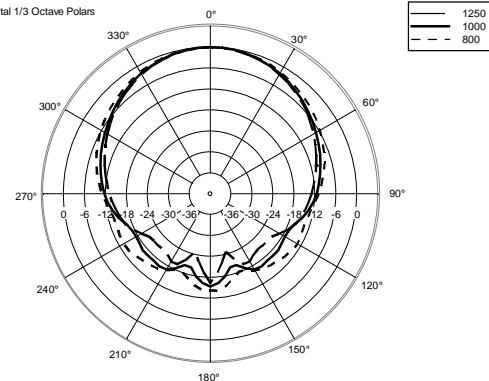
Horizontal 1/3 Octave Polars



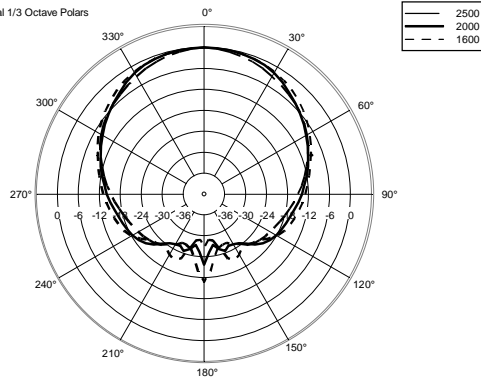
Horizontal 1/3 Octave Polars



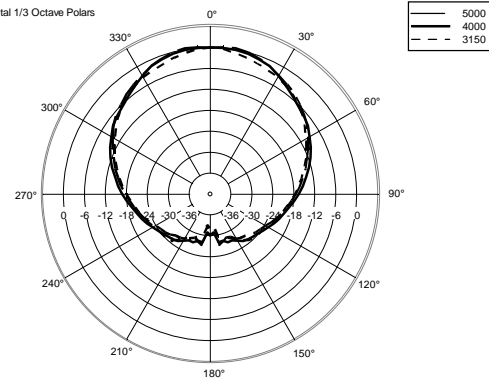
Horizontal 1/3 Octave Polars



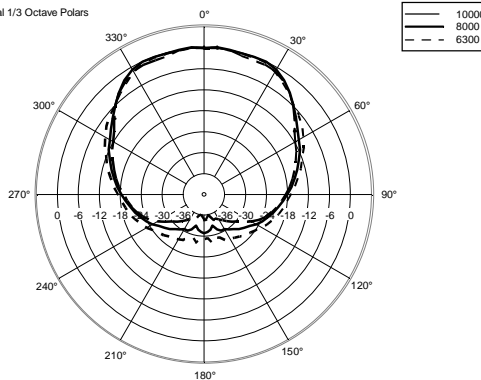
Horizontal 1/3 Octave Polars



Horizontal 1/3 Octave Polars



Horizontal 1/3 Octave Polars



Horizontal One Octave Polars

