

# HDL 35-AS

## Active Flyable Subwoofer Module

### DESCRIPTION

The HDL 35-AS is the ideal flyable bass complement for the HDL 26-A array system. It features a baltic birch plywood cabinet housing one 4.0" voice coil, 15" Neodymium woofer to handle frequencies from 40 Hz to 140 Hz with the maximum linearity and lowest distortion. The 2200 Watts class-D amplifier onboard delivers excellent playback clarity and up to 134 decibels SPL max. Due to its compatibility with RDNet - remote monitoring and control, the HDL 35-AS is part of the professional HDL System.

### FEATURES

- 134 dB Max SPL
  - 2200W Class-D Amplifier
  - 40-140 Hz frequency response
  - RDNet Networked Management
  - 1x15" Neodymium Woofer, 4.0" voice coil
-

## TECHNICAL SPECIFICATIONS

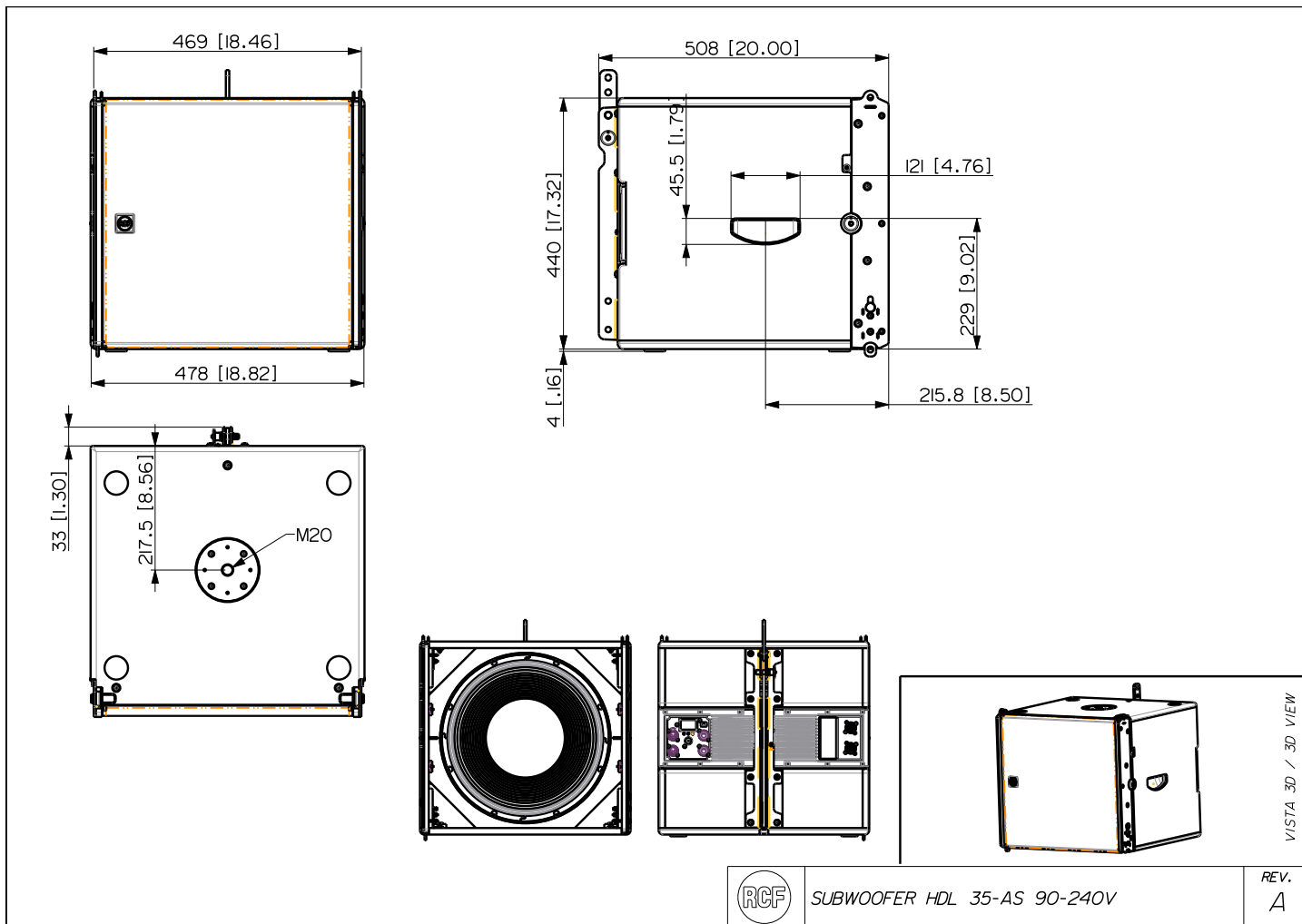
<b>Acoustical specifications</b>	Frequency Response:	40 Hz ÷ 140 Hz
	Max SPL @ 1m:	134 dB
<b>Transducers</b>	Woofers:	15" neo, 4.0" v.c
<b>Input/Output section</b>	Input signal:	bal/unbal
	Input connectors:	XLR, RDNet Ethercon
	Output connectors:	XLR, RDNet Ethercon
	Input sensitivity:	+4 dBu
<b>Processor section</b>	Protections:	Thermal, RMS
	Limiter:	Soft Limiter
	Controls:	Volume, Preset selection, RDnet on board
	RDNet:	Yes
<b>Power section</b>	Total Power:	2200 W Peak, 1100 W RMS
	Low frequencies:	2200 W Peak, 1100 W RMS
	Cooling:	Convection
	Connections:	Powercon IN/OUT
<b>Standard compliance</b>	CE marking:	Yes
<b>Physical specifications</b>	Cabinet/Case Material:	Baltic birch plywood
	Hardware:	Array fittings
	Handles:	2 Side
	Pole mount/Cap:	Yes
	Grille:	Steel
	Color:	Black
<b>Size</b>	Height:	444 mm / 17.48 inches
	Width:	456 mm / 17.95 inches
	Depth:	508 mm / 20 inches
	Weight:	30 kg / 66.14 lbs
<b>Shipping informations</b>	Package Height:	530 mm / 20.87 inches
	Package Width:	560 mm / 22.05 inches
	Package Depth:	525 mm / 20.67 inches
	Package Weight:	35 kg / 77.16 lbs

## PART NUMBER

- **13000575**

HDL 35-AS

EAN 8024530016883



**ACCESSORIES**

AC 2X AZIMUT PLATE

PART NUMBER: **13360351**

EAN: 8024530013516



AC PMA - POLE MOUNT

PART NUMBER: **13360034**

EAN: 8024530007713



AC PM-M20

PART NUMBER: **13360067**

EAN: 8024530014599



AC PMX POLE MOUNT M20

PART NUMBER: **13360232**

EAN: 8024530010058



AC POWER CABLE 6X TTL55

PART NUMBER: **13360138**

EAN:



AC TRUSS CLAMP HDL6

PART NUMBER: **13360371**

EAN: 8024530014360



AC TT PMA - POLE MOUNT TT+

PART NUMBER: **13360068**

EAN: 8024530005825



AC XLR-3M3F XLR CONN. 3MALE3FEMALEXCABLE

PART NUMBER: **13360102**

EAN: 8024530006402



CABLES KIT CBL ETHERCON 0.7M

PART NUMBER: **12399016**

EAN: 8024530013844



CABLES KIT CBL ETHERCON 1.5M

PART NUMBER: **12399017**  
EAN: 8024530013851

CABLES KIT CBL ETHERCON 3M

PART NUMBER: **12399035**  
EAN: 8024530013868

CABLES KIT CBL ETHERCON 5M

PART NUMBER: **12399018**  
EAN: 8024530013875

CABLES KIT CBL ETHERCON TO XLR F 0.2M

PART NUMBER: **12399019**  
EAN: 8024530013882

CABLES KIT CBL ETHERCON TO XLR M 0.2M

PART NUMBER: **12399020**  
EAN: 8024530013899

CABLES KIT CBL LK 25 MULTIPIN 10M

PART NUMBER: **12399023**  
EAN: 8024530013837

CABLES KIT CBL LK 25 MULTIPIN 20M

PART NUMBER: **12399022**  
EAN: 8024530013820

CABLES KIT CBL LKS 19 ARRAY FANOUT

PART NUMBER: **12399024**  
EAN: 8024530013905

CABLES KIT CBL LKS 19 BREAKOUT

PART NUMBER: **12399026**  
EAN: 8024530013929

CABLES KIT CBL LKS 19 POWER 10M

PART NUMBER: **12399027**  
EAN: 8024530013936



CABLES KIT CBL LKS 19 SUB FANOUT

PART NUMBER: **12399025**

EAN: 8024530013912



CABLES KIT CBL POWER BOX 6X

PART NUMBER: **13360145**

EAN: 8024530015534



CABLES KIT CBL POWERCON LINK 0.7M

PART NUMBER: **12399031**

EAN: 8024530013738



CABLES KIT CBL POWERCON LINK 1.5M

PART NUMBER: **12399030**

EAN: 8024530013721



CABLES KIT CBL POWERCON LINK 10M

PART NUMBER: **12399028**

EAN: 8024530013707



CABLES KIT CBL POWERCON LINK 5M

PART NUMBER: **12399029**

EAN: 8024530013714



CABLES KIT LK 25-2 FANOUT

PART NUMBER: **12399021**

EAN: 8024530013813



FLYBAR HDL6-A

PART NUMBER: **13360360**

EAN: 8024530014209



FLYBAR PICKUP HDL6

PART NUMBER: **13360372**

EAN: 8024530014353

HOIST SPACING CHAIN TTL55

PART NUMBER: **13360129**

EAN:



LINKBAR HDL12 TO HDL6

PART NUMBER: **13360375**

EAN: 8024530014414

---



LKS 19-20 POWER CABLE

PART NUMBER: **13360146**

EAN: 8024530013943

---

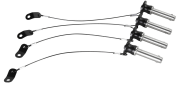


RAIN PROTECTION RP 1X HDL 30

PART NUMBER: **13360388**

EAN: 8024530015138

---



SPARE PINS FRONT 4X HDL20- HDL18

PART NUMBER: **13360219**

EAN: 8024530015763

---