

ES 3160 II

CD-USB-BLUETOOTH/MP3 DIGITAL RECEIVER AMPLIFIER

DESCRIPTION

ES 3160-II is a mixer-amplifier with 4 mic-line audio inputs on removable connectors (the first input also has an XLR socket), CD/USB/Bluetooth - MP3 player and tuner and an aux input for an additional external music source. The amplifier nominal power is 160 W, available on either a low impedance output (min. 4 Ω) or 100 - 70 V constant voltage output (for loudspeakers having 100 - 70 V transformers).



FEATURES

- CD-USB/MP3 Player / FM tuner / Mixer Amplifier, Bluetooth connection with external device
- IR Remote control for CD - USB/MP3 player & tuner functions
- Full digital technology amplifier 160W RMS, 100V-70V and 4 Ohm outputs
- 4 universal inputs with phantom facility, Presence Control and per-channel High-Pass filters
- RJ45 connectors on input 2 and 3 for connection to BM3001 microphone
- Screw terminal connections, additional XLR and RJ45 input connections available
- Configurable Priority settings, VOX facility on input 1
- Selectable aux input for music source with volume and tone controls
- USB port on front panel allows reproduction of MP3 files from a memory stick
- Music On Hold and PRE outputs

TECHNICAL SPECIFICATIONS

| | | |
|---------------------------------|---|-------------------------|
| Amplifier specifications | Number of channels: | 1 |
| | Power output (@ 100 V): | 160 W RMS |
| | Frequency Response (-3dB): | 20 Hz ÷ 20 kHz |
| | Distortion (THD+N) @ 1 kHz nominal power: | <0.3 % |
| Input section | Total number of inputs: | 8 |
| | Balanced: | 5 |
| | Unbalanced: | 3 |
| | Mono: | 8 |
| | Mic inputs: | 1 |
| | Mic connectors: | XLR |
| | Line inputs: | 1 |
| | Line connectors: | RCA |
| | Mic+Line inputs: | 4 |
| | Mic+Line connectors: | Euroblock |
| | Mic+Line Phantom: | 32 V DC |
| | VOX: | Yes |
| | Paging inputs: | 2 |
| | Paging connectors: | RJ45 |
| | Paging command: | Contact |
| General Purpose Inputs (GPI): | 1 | |
| Output section | Signal output number: | 3 |
| | Signal output connectors: | RCA |
| | Power output connectors: | Euroblock |
| Processing | Tone controls: | Yes |
| | High-pass filter: | 150 Hz |
| Controls | Configuration: | DIP switch, Front panel |
| | Priority: | Yes |
| | Music on hold: | Yes |
| | Chime tone: | Yes |
| Protections | Cooling: | Convection |
| | Short circuit: | Yes |
| | Thermal: | Yes |
| | DC: | Yes |
| | Fuses: | Yes |
| Audio sources | CD: | Yes |
| | FM Tuner: | Yes |
| | USB pen drives: | Yes |
| | Bluetooth: | Yes |



| | | |
|--------------------------------|------------------------|---|
| Power requirement | Operating voltage: | 220-240/115 V- 50/60Hz |
| | Voltage selection: | Internal |
| | Power consumption: | 350 W |
| Standard compliance | CE marking: | Yes |
| Physical specifications | Cabinet/Case Material: | Metal |
| | Color: | Black |
| | Rack mounting: | 19", 3U , Optional rack mounting accessory required |
| Size | Height: | 127 mm / 5 inches |
| | Width: | 444 mm / 17.48 inches |
| | Depth: | 345 mm / 13.58 inches |
| | Weight: | 8.2 kg / 18.08 lbs |
| Shipping informations | Package Height: | 240 mm / 9.45 inches |
| | Package Width: | 455 mm / 17.91 inches |
| | Package Depth: | 535 mm / 21.06 inches |
| | Package Weight: | 9.9 kg / 21.83 lbs |

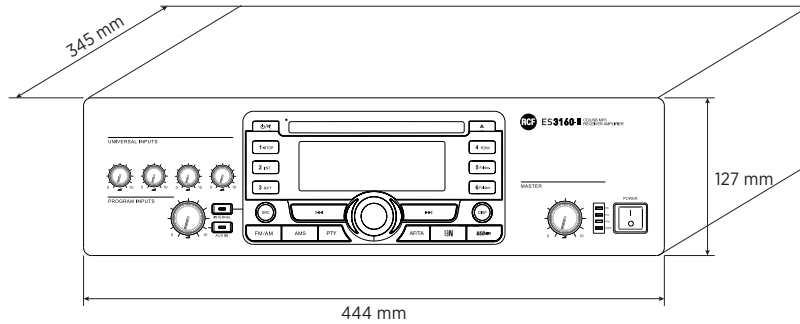
PART NUMBER

- **12135104**

ES 3160 II

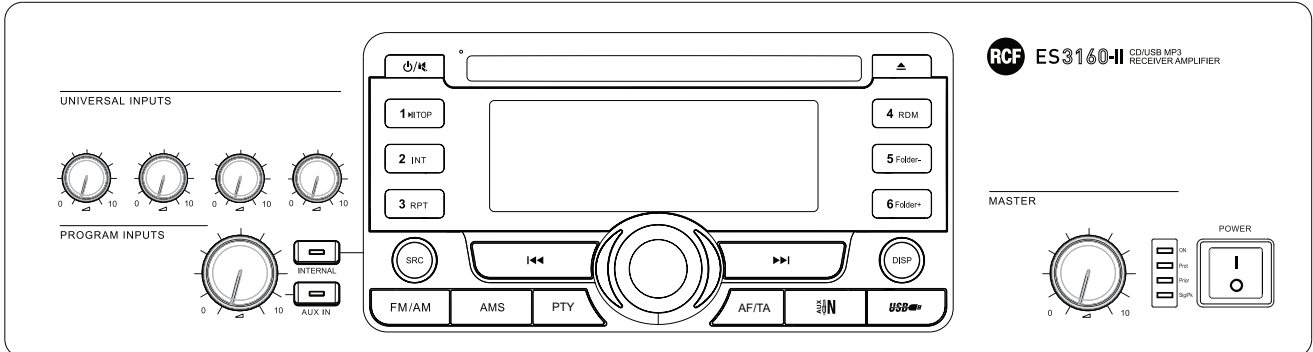
EAN 8024530012076

DRAWINGS



PANELS

Front panel



Rear panel

